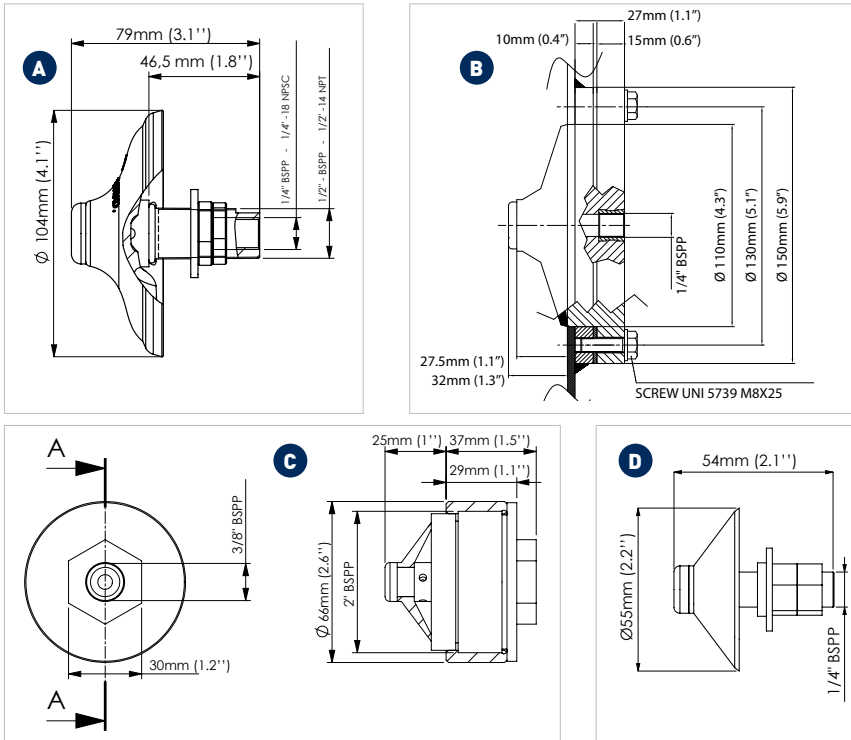




VBS - Bin aerators



Model	DRAWING	MEMBRANE COLOUR	STEM MATERIAL	Air consumption								Working temperature			
				0.8 bar (11.6 psi)		2 bar (29 psi)		4 bar (58 psi)		6 bar (87 psi)		°C		°F	
				l/min	Cfm	l/min	Cfm	l/min	Cfm	l/min	Cfm	Min.	Max.	Min.	Max.
VBS	A	White	Aluminium	600	20	800	28	950	33	1150	40	-40	170	-40	338
VBSI	A	White	Stainless steel	600	20	800	28	950	33	1150	40	-40	170	-40	338
VBSIHT	A	Red	Stainless steel	600	20	800	28	950	33	1150	40	-40	235	-40	455
VBSIMD	A	Blue	Stainless steel	600	20	800	28	950	33	1150	40	-40	170	-40	338
VBE	B	White	Nylon	-	-	-	-	-	-	-	-	-40	80	-40	176
VBSME	C	White	Nylon	130	4.6	150	5.3	-	-	-	-	-40	80	-40	176
VBSM	D	White	Aluminium	100	3.5	150	5	-	-	-	-	-40	170	-40	338
VBSMI	D	White	Stainless steel	100	3.5	150	5	-	-	-	-	-40	170	-40	338
VBSMIHT	D	Red	Stainless steel	100	3.5	150	5	-	-	-	-	-40	235	-40	455
VBSMIMD	D	Blue	Stainless steel	100	3.5	150	5	-	-	-	-	-40	170	-40	338

VBS - BIN AERATORS

APPLICATION	Silos, hoppers, pipes
POWDER	Dry, fine, granular
PROBLEM SOLVING	Bridge and rat-holing

FEATURES

DUTY CYCLE	Continuous or discontinuous
WORKING PRESSURE	From 0.8 bar to 6 bar (from 12 psi to 87 psi) - Suggested: 4 bar (58 psi) VBSMicro from 0.8 bar to 2 bar (from 12 psi to 29 psi)
PNEUMATIC CIRCUIT	Filter + flow control valve
AIR SUPPLY QUALITY	Non-Lubricated [Class. 5.4.1]
TECHNOLOGY	Vibro-Aerator
MATERIAL	Silicone membrane [food grade] - FDA 177.2600 Aluminium / stainless steel stem [Food & Pharmaceutical grade] Nylon body with steel ring [VBSE]

OPTIONS

EXTERNAL MOUNTING KIT	Stainless steel rectangular plate and fitting bracket
-----------------------	-------------------------------------------------------