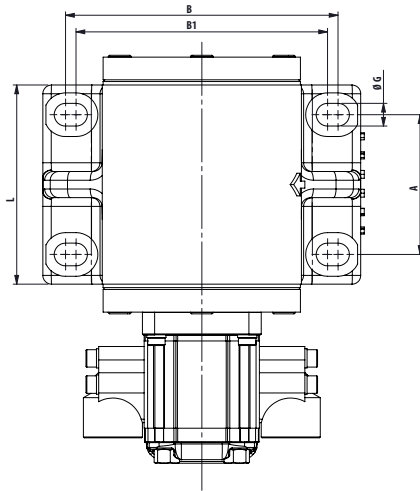
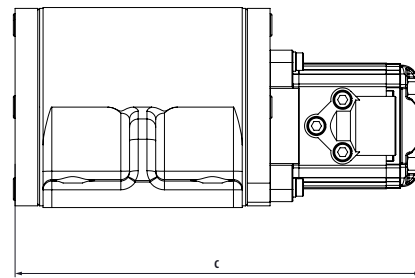
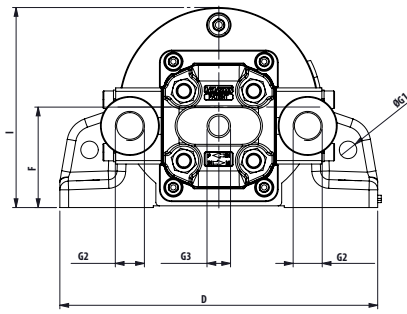




MVO - Hydraulic vibrators



OVERALL DIMENSIONS																					
A		B		B1		C		D		L		F		G		G1		G2	G3	Weight	
mm	in	mm	in	mm	in	mm	in	mm	in	mm	in	mm	in	mm	in	mm	in	BSPB	BSPB	kg	lb
80	3,15	156	6.14	144	5.67	232.5	9.2	182	7,16	114.5	4.5	57.5	2.3	13	0.5	10	0.4	3.8"	1/4"	11	24

MECHANICAL FEATURES										
Model	Centrifugal force				Working Moment		Static Moment		Operating press.	Max Pressure
	3000 rpm		6000 rpm		kg*cm	in*lb	kg*cm	in*lb	bar	bar
	kg	lb	kg	lb					3000 rpm	6000 rpm
MVO 850	208	459	830	1830	4,12	3,57	2,06	1,78	70	120

BEARING LIFE			
rpm	Centrifugal Force		Bearing Life
	kg	lb	hrs
3000	208	459	1.375.922
6000	459	1830	6.826

MVO - HYDRAULIC VIBRATORS

APPLICATION Dump trailer - agriculture machine - digging bucket

POWDER Hygroscopic - wet sticky and granular

PROBLEM SOLVING Detaching

FEATURES

DUTY CYCLE Continuous

WORKING PRESSURE From 15 bar to 300 bar (from 217 psi to 4.350 psi)

HYDRAULIC CIRCUIT Flow control valve + filter (mesh 30-60 micron)

ENGINE SIZE 3.12 Cm³/round

WORKING TEMPERATURE From -20°C to 60°C (from -4°F to 140°F)

OIL VISCOSITY From 20 mm²/sec to 100 mm²/sec

OIL TYPE HLP HV [D in 51524] hydraulic mineral oil

FLOW RATE 2,24 l/min (700 rpm) - 9,6 l/min (3.000 rpm) - 19,2 l/min (6.000 rpm)

MAX NOISE LEVEL 80dB(a)

MOTOR TYPE XV-1M/3.2

TECHNOLOGY Hydraulic rotary vibrator

MATERIAL Grey cast iron body (RAL 2004 powder painted)