

Vertical Screw Screen WASTEMASTER® GCV



DESIGNED FOR PLANTS WHERE SPACE IS AN OPTION

The waste water enters the WASTEMASTER® GCV Screw Screen through a flanged connection with the supply pipe. WASTEMASTER® GCV carries out solids-liquid separation with great efficiency by de-watering and compacting the effluent in a special discharge module.

By providing continuous cleaning of the screen, special brushes on the outside diameter of the screw flight optimise separation efficiency.

The collar clamp brackets and the optional base frame ensure quick and easy installation.

Technical Features

- For municipal and industrial solids-liquid separation of effluents
- All fabricated parts in 304L / 316L stainless steel
- Screw in 304 / 316 stainless steel or special high-resistance steel
- Flight brushes for continuous cleaning of the screen
- Screens with different mesh types (3, 6 or 10 mm)
- Great versatility of application due to wide range of accessories



Insulated discharge module



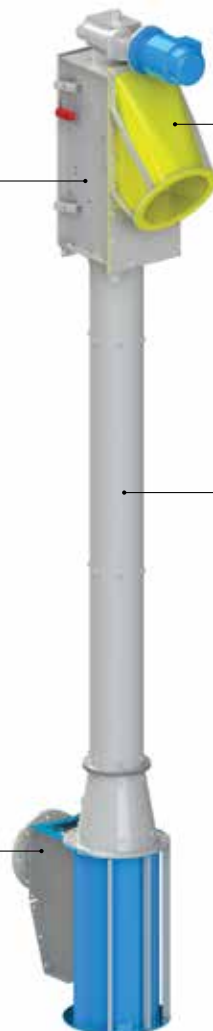
Highly efficient outlet spout in plastic material



Inlet spout and split screen basket



Washing tube



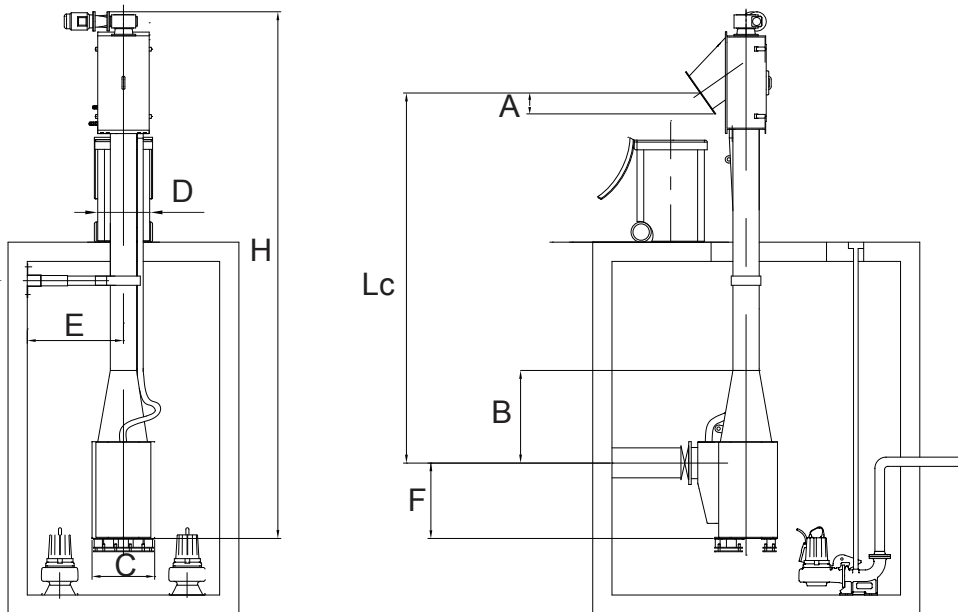
MODEL	FLOW RATE (3mm) [l/s]	FLOW RATE (6mm) [l/s]	FLOW RATE (10mm) [l/s]	SOLIDS EXTRACTION [dm ³ /s]
GCV 200	25	30	35	0.22
GCV 300	36	47	50	0.22
GCV 500	70	90	95	0.35

Note: Values related to clean water

Benefits

- ✓ Up to 40% solids volume reduction;
- ✓ Easy to install even where little space is available;
- ✓ Only system available on the market for the protection of submersible pumps;
- ✓ No particular inspection or frequent maintenance required;
- ✓ Machine components can be easily accessed or replaced thanks to modular design;
- ✓ Outlet installation angle according to customers' request (90° steps).

Overall Dimensions



MODEL	A	B	C	D	E	F	DN	Lc	H	kW
GCV 200	300	-	320	219	328	500	150	from 1,500 to 4,000	from 2,732 to 5,232	0.55
GCV 300	300	490	430	219	328	730	200	from 2,000 to 7,500	from 3,670 to 9,170	1.1
GCV 500	375	965	650	273	530	920	300	from 2,000 to 7,500	from 4,000 to 9,500	1.5

Dimensions in mm

Accessories

- Bag clamping system
- Horizontal bracket kit
- Endless Tube
- Adjustable feet
- Elevation feet
- Quick coupling
- Collar

Application



063001441 March 2014 Rights reserved to modify technical specifications.



www.wamgroup.com